

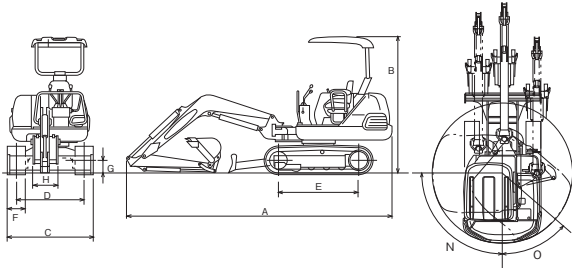
# Excavator 0.08~0.28m<sup>3</sup>

**RENT ALL**  
THAI RENT ALL CO., LTD.

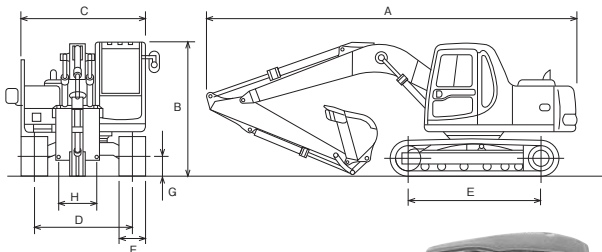
**BUCKET CAPACITY 0.08~0.28m<sup>3</sup>**

## Dimensions

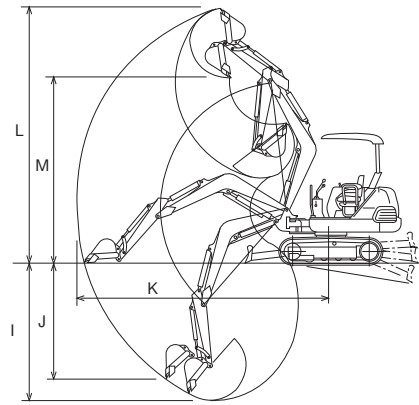
(PC27MR · SK30SR · U-30 · PC40MR)



(PC60 · SK70SR · PC78US)



## Working Range



PC27MR (Mini Excavator)



PC60

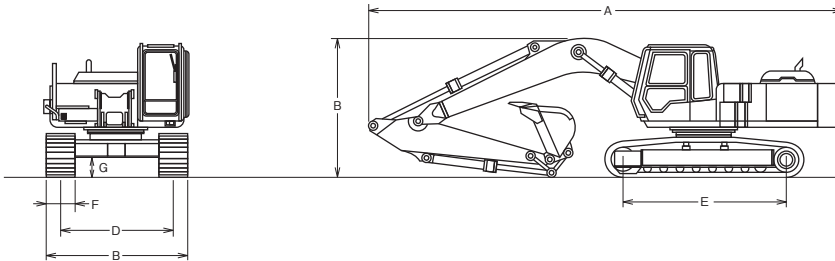
## Specifications

M A K E		KOMATSU	KOBELCO	KUBOTA	KOMATSU	KOMATSU	KOBELCO	KOMATSU
M O D E L		PC27MR	SK30SR	U-30	PC40MR	PC60	SK70SR	PC78US
Bucket capacity (m <sup>3</sup> )		0.08	0.09	0.09	0.14	0.28	0.28	0.28
Dimensions	Operating weight (kg)	2,750	3,000	2,990	4,150	6,500	6,700	7,080
	Overall length (mm) <b>A</b>	4,140	4,470	4,485	5,215	6,120	5,780	5,835
	Overall height (mm) <b>B</b>	2,460	2,570	2,350	2,570	2,600	2,600	2,695
	Overall width (mm) <b>C</b>	1,550	1,550	1,550	1,960	2,290	2,320	2,365
	Track gauge (mm) <b>D</b>	1,250	1,250	1,250	1,560	1,700	1,870	1,870
	Length of track on ground (mm) <b>E</b>	1,485	1,700	1,665	1,940	2,050	2,240	2,235
	Track shoe width (mm) <b>F</b>	300	300	300	400	450	450	450
Ground clearance (mm) <b>G</b>		320	330	-	320	330	380	360
Performance	Bucket capacity (m <sup>3</sup> )	0.08	0.09	0.09	0.14	0.28	0.28	0.28
	Bucket width (mm) <b>H</b>	500	500	480	600	750	690	650
	Max. Digging depth (mm) <b>I</b>	2,650	2,810	2,880	3,400	4,100	4,100	4,100
	Max. vertical wall digging depth (mm) <b>J</b>	2,130	2,160	2,305	2,700	3,495	3,540	3,530
	Ground level max. reach (mm) <b>K</b>	4,600	4,930	4,965	5,650	6,440	6,310	6,440
	Max. digging height (mm) <b>L</b>	4,390	4,770	4,765	5,570	6,960	7,180	7,300
	Max. dumping height (mm) <b>M</b>	3,145	3,360	3,325	3,810	4,850	5,120	5,180
	Boom swing angle / offset Boom <b>N · O</b>	L90° R50°	L70° R60°	L70° R50°	L60° R80°	-	-	-
	Min. turn radius (m)	1.32	1.59	1.56	1.74	1.9	1.75	1.89
	Gradability (°)	30	30	30	30	35	35	35
Traveling speed (km/h)		4.8/2.4	4.5/2.5	3.0/4.6	4.6/2.8	3.7	5.3	4.1
Engine	Rated output (ps/rpm)	26/2,600	28.8/2,400	27/2,200	39/2,400	55/2,100	56/2,200	55/2,100
	Dozer blade							
Dozer blade	Overall length (mm)	1,550	1,550	1,550	1,960	-	2,320	2,320
	Overall height (mm)	325	345	335	355	-	460	470
Fuel tank capacity (ℓ)		Diesel 37	Diesel 38	Diesel 40	Diesel 65	Diesel 120	Diesel 120	Diesel 115

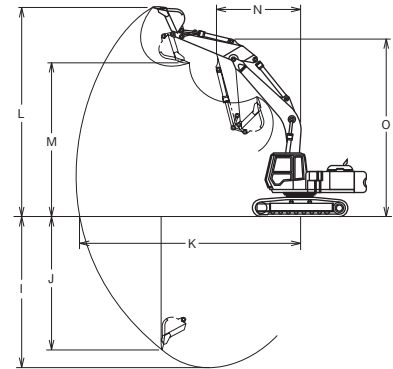
# Excavator 0.5·0.8m<sup>3</sup>

BUCKET CAPACITY 0.5·0.8m<sup>3</sup>

## Dimension (ZX120 · PC200 · ZX200)



## Working Range



PC200-7



ZX200

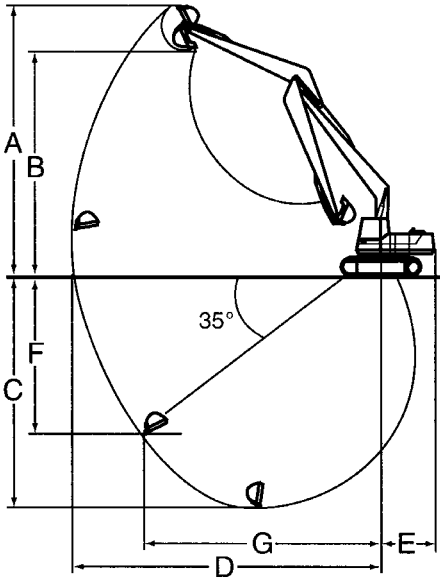
## Specifications

M A K E		KOMATSU	HITACHI	KOMATSU	HITACHI
M O D E L		PC120	ZX120	PC200	ZX200
Bucket capacity (m <sup>3</sup> )		0.50	0.50	0.80	0.80
Dimensions	Operating weight (kg)	12,030	12,000	19,100	19,400
	Overall length (mm) <b>A</b>	7,590	7,610	9,425	9,620
	Overall height (mm) <b>B</b>	2,620	2,740	3,000	2,950
	Overall width (mm) <b>C</b>	2,490	2,500	2,970	2,800
	Track gauge (mm) <b>D</b>	1,960	1,990	2,200	2,200
	Length of track on ground (mm) <b>E</b>	2,750	2,880	3,270	3,370
	Track shoe width (mm) <b>F</b>	500	500	800	600
	Ground clearance (mm) <b>G</b>	400	440	440	450
Performance	Bucket capacity (m <sup>3</sup> )	0.50	0.50	0.80	0.80
	Bucket width (mm) <b>H</b>	979	890	1,150	1,140
	Max. Digging depth (mm) <b>I</b>	5,520	5,570	6,620	5,980
	Max. vertical wall digging depth (mm) <b>J</b>	4,940	4,550	5,980	5,140
	Ground level max. reach (mm) <b>K</b>	8,170	8,320	9,700	9,250
	Max. digging height (mm) <b>L</b>	8,610	8,570	9,305	9,170
	Max. dumping height (mm) <b>M</b>	6,170	6,160	6,475	6,390
	Boom swing angle / offset Boom <b>N·O</b>	-	-	-	-
Min. turn radius (m)	2.30	2.34	3.60	3.53	
Gradability (°)	35	35	35	35	
Traveling speed (km/h)	5.5	5.5	5.5	5.5	
Engine Rated output (ps/rpm)	87/2,200	94/2,000	134/2,000	147/2,100	
Fuel tank capacity (ℓ)	Diesel 230	Diesel 250	Diesel 340	Diesel 360	

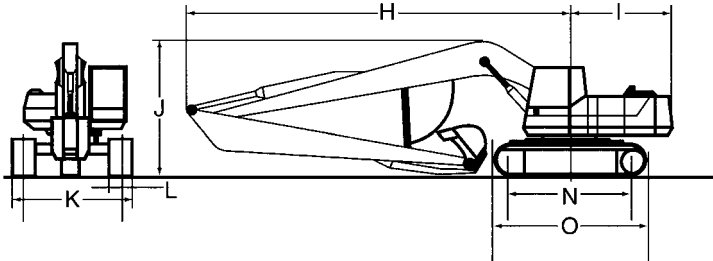
# Excavator Long Boom Type

## Excavator Long Boom Type

### Working Range



### Dimension



PC200L-7 (Long Boom Type)

### Specifications

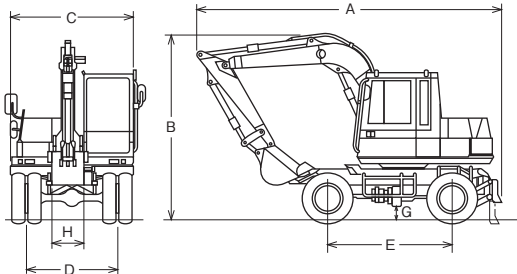
M A K E	KOMATSU	
M O D E L	PC200L	
Bucket capacity (m <sup>3</sup> )	0.38	
Distance swing center to front end (mm)	H	8,800
Distance swing center to rear end (mm)	I	2,740
Dimensions	Overall height (mm)	J 3,120
	Overall width (mm)	K 2,800
	Operating weight (kg)	L 19,600
	Shoe width (mm)	L 600
Fuel tank capacity (ℓ)	340	
Engine rated output (kW[PS])	98.6[134]	
<b>Performance</b>		
Max. digging height (mm)	A	12,900
Max. dumping height (mm)	B	10,600
Max. digging depth (mm)	C	11,350
Max. digging reach (mm)	D	15,017
Tail swing radius (mm)	E	2,750
Max. digging depth on 35° slope (mm)	F	7,070
Max. digging reach on 35° slope (mm)	G	12,120

# Wheel Excavator Backhoe Loader

Thailand THAI RENT ALL CO., LTD.

## Wheel Excavator

### Dimension

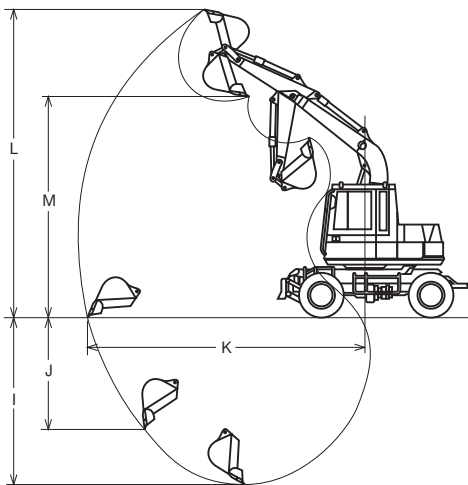


SK100W

### Specifications

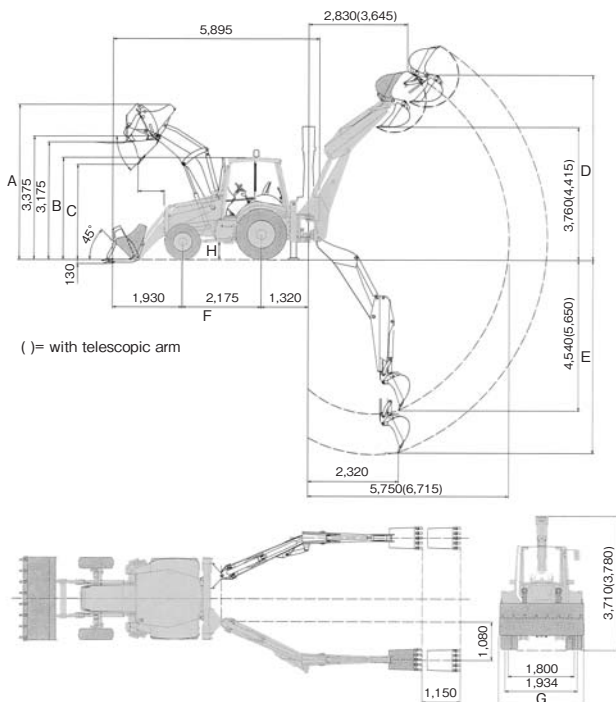
M A K E		KOBELCO
M O D E L		SK100W
Bucket capacity (m <sup>3</sup> )		0.45
Dimensions	Operating weight (kg)	11,110
	Overall length (mm) <b>A</b>	6,835
	Overall height (mm) <b>B</b>	3,550
	Overall width (mm) <b>C</b>	2,486
	Tread (mm) <b>D</b>	1,895
	Wheel base (mm) <b>E</b>	2,600
	Ground clearance (mm) <b>G</b>	265
Performance	Bucket capacity (m <sup>3</sup> )	0.45
	Bucket width (mm) <b>H</b>	850
	Max. Digging depth (mm) <b>I</b>	4,260
	Max. vertical wall digging depth (mm) <b>J</b>	3,510
	Ground level max. reach (mm) <b>K</b>	7,080
	Max. digging height (mm) <b>L</b>	8,790
	Max. dumping height (mm) <b>M</b>	6,370
	Min. turn radius (m)	1.8
Gradability ( ° )		31
Traveling speed (km/h)		36
Engine	Rated output (ps/rpm)	128/2,150
Fuel tank capacity ( ℓ )		Diesel 750

### Working Range



## Backhoe Loader

### Working Range



### Specifications

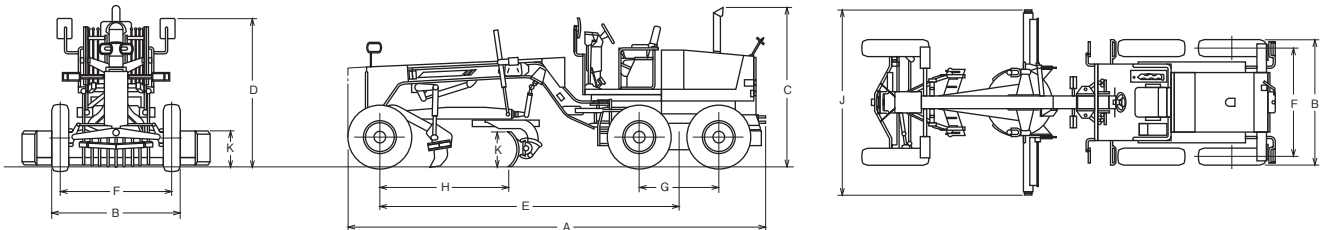
M A K E		KOMATSU
M O D E L		WB935R-5
Bucket capacity (m <sup>3</sup> )		0.08
Max. Loader capacity (m <sup>3</sup> )		1.03
Operating weight (kg)		7,460
Dimensions	Max height (m) <b>A</b>	4.29
	Cab roof height (m) <b>B</b>	2.75
	Max dumping height (m) <b>C</b>	2.72
	Max digging height (m) <b>D</b>	5.80
	Max digging depth (m) <b>E</b>	5.02
	Overall length (m) <b>F</b>	5.89
	Overall width (with bucket) (m) <b>H</b>	2.32
	Ground clearance (m)	0.43
Engine power (hp/rpm)		99.2/2,200
Fuel tank capacity ( ℓ )		150

# Motor Grader Bulldozer

**RENT ALL**  
THAI RENT ALL CO., LTD.

## Motor Grader

### Dimension



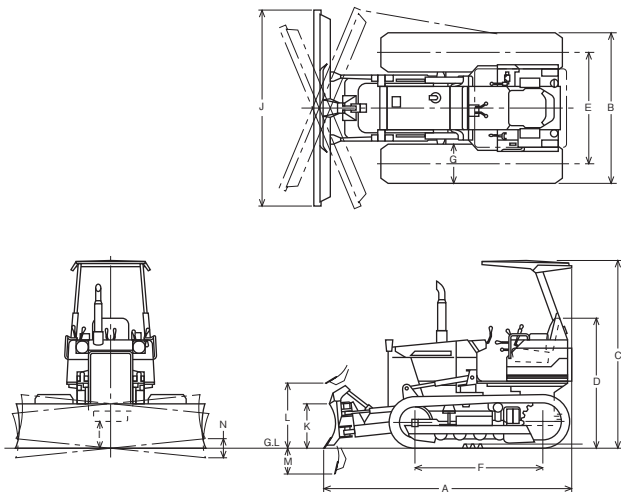
GD505A-3

### Specifications

M A K E	KOMATSU	mitsubishi	
M O D E L	GD505A	MG430	
Dimensions	Weight (kg)	12,100	13,285
	Overall length (mm)	<b>A</b> 8,145	8,595
	Overall width (mm)	<b>B</b> 2,415	2,420
	Overall height (mm)	<b>C</b> 2,990	3,070
	Wheel base (mm)	<b>E</b> 5,780	6,250
	Tread (mm)	<b>F</b> 2,020	2,000
	Distance between centre of tandem wheels (mm)	<b>G</b> 1,535	785
Blade	Blade length (mm)	<b>J</b> 3,710	3,710
	Blade height (mm)	<b>K</b> 545	530
Min.turning radius (m)	6.6	6.9	
Speed : forward (km/h)	6/48.0	6/44.1	
Speed : reverse (km/h)	6/46.0	6/44.9	
Engine	Fly wheel horse power (ps/rpm)	137/2,300	157
	Piston displacement (cc)	11,045	7,540
Fuel tank capacity (ℓ)	285	270	

## Bulldozer

### Dimension



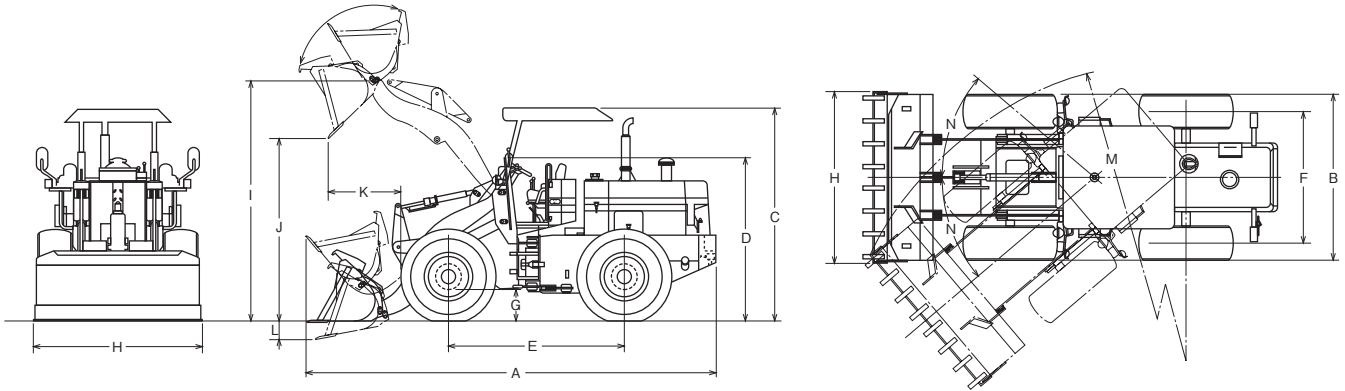
### Specifications

M A K E	KOMATSU		
T Y P E	Dry track	Swamp track	
M O D E L	D21A	D31P	
Operating weight (kg)	3,600	6,800	
Dimensions (mm)	Overall length	<b>A</b> 3,400	3,940
	Overall width	<b>B</b> 1,610	2,250
	Overall height	<b>C</b> 2,475	2,735
		<b>D</b> 1,810	2,045
	Track gauge	<b>E</b> 1,310	1,650
	Distance between tumblers	<b>F</b> 1,685	2,185
	Track shoe width	<b>G</b> 300	600
	Ground clearance	<b>I</b> 295	380
	Width of blade	<b>J</b> 2,170	2,875
	Height of blade	<b>K</b> 590	790
	Max.lift above ground	<b>L</b> 790	935
Max.drop below ground	<b>M</b> 385	300	
Max.tilting adjustment	<b>N</b> 250	420	
Minimum turning radius (m)	2	2.5	
Gradability (°)	30	30	
Travel speed	Forward (km/h)	2/4.4	3/6.5
	Reverse (km/h)	2/5.6	3/7.1
Engine	Rated output (ps/rpm)	40/2,450	71/2,350
	Piston displacement (cc)	2,690	4,890
Fuel tank capacity (ℓ)	60	118	
Ground pressure (kgf/cm <sup>2</sup> )	0.36	0.26	

# Wheel Loader 0.5m<sup>3</sup>·1.3m<sup>3</sup> Dumper

## Wheel Loader

### Dimension



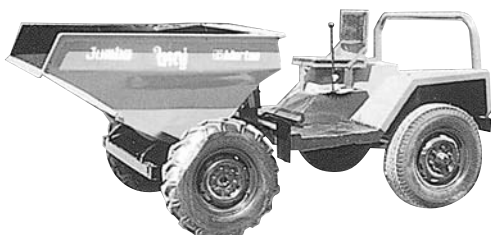
### Specifications

M A K E		KOMATSU	
M O D E L		WA40	WA100
Bucket capacity (m <sup>3</sup> )		0.5	1.3
Dimensions	Operating weight (kg)	3,075	6,675
	Overall length (mm) <b>A</b>	4,315	5,900
	Overall width (mm) <b>B</b>	1,665	2,250
	Overall height (mm) <b>D</b>	1,900	2,955
	Wheelbase (mm) <b>E</b>	1,850	2,600
	Tread width (mm) <b>F</b>	1,250	1,780
	Ground clearance (mm) <b>G</b>	395	400
Bucket	Capacity (m <sup>3</sup> )	0.5	1.3
	Width (mm) <b>H</b>	1,690	2,340
	Hingepin height (mm) <b>I</b>	3,020	3,450
	Dumping clearance at 45° (mm) <b>J</b>	2,435	2,715
	Dumping reach at 45° (mm) <b>K</b>	775	960
	Digging depth (mm) <b>L</b>	160	230
Min.turning radius (m) <b>M</b>	3.2	4.5	
Steering angle (°) <b>N</b>	40	40	
Gradability (°)		30	25
Traveling speed	Forward (rd/km/h)	15.0	3/34.5
	Reverse (rd/km/h)	15.0	3/35.0
Engine	(ps/rpm)	37/2,800	85/2,400
	Piston displacement (cc)	1,496	3,920
Fuel tank capacity (ℓ)		Diesel 42	Diesel 133



WA100

## Dumper



Dumper

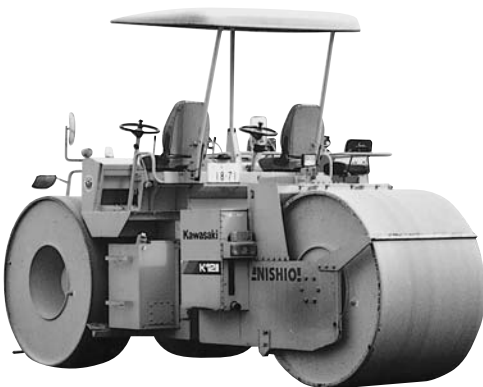
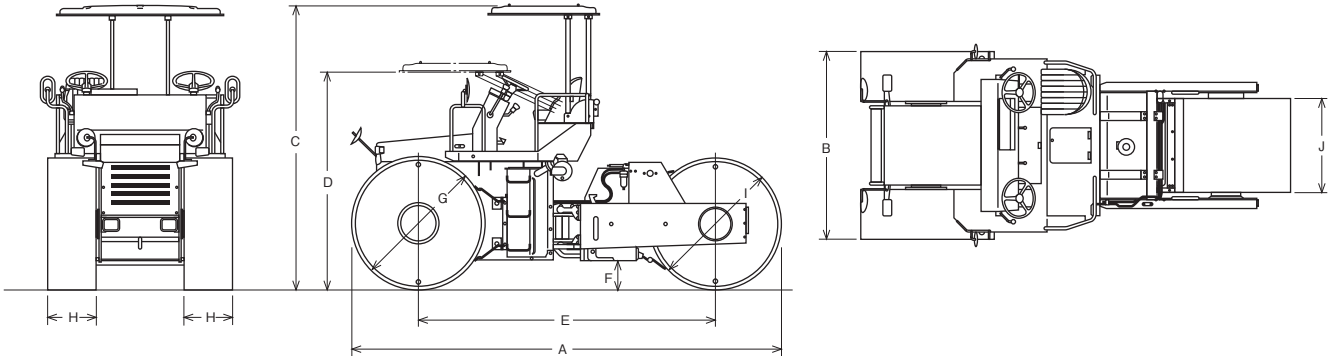
### Specifications

M A K E		JRM
M O D E L		MARTON Dumper
Capacity (m <sup>3</sup> )		0.25
Dimensions	Overall length (mm)	2,400
	Overall width (mm)	1,200
	Overall height (mm)	1,200
Driving		Front-wheel drive
Turning		Rear-wheel controlled
Gearing		4 steps forward, 1 steps backward
Braking		Front-wheel controlled, drum break
Wheel size		14"
Engine (hp)		10.5

# Macadam Roller (Road Roller) Tyre Roller

## Macadam Roller

### Dimension



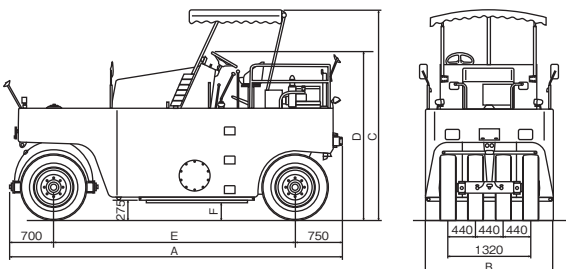
K10

### Specifications

M A K E		KAWASAKI
M O D E L		K10
Weight	Gross weight (kg)	11,600
	Empty weight (kg)	9,585
Dimensions	Overall length (mm) <b>A</b>	5,050
	Overall width (mm) <b>B</b>	2,000
	Overall height (mm) <b>C</b>	3,330
	without auning (mm) <b>D</b>	2,250
	Wheel base (mm) <b>E</b>	3,050
	Ground clearance (mm) <b>F</b>	300
Roll Dimension	Front roll (mm)	1,600×520
	Rear roll (mm)	1,400×1,040
Rolling width (mm)		2,000
Min.turning radius (m)		6.5
Gradability ( ° )		18.0
Speeds (km/h)		14.0
Engine	Rated output (ps/rpm)	62/1,900
	Displacement (cc)	3,856
Fuel tank capacity ( ℓ )		140
Sprinkler tank capacity ( ℓ )		600

## Tyre Roller

### Dimension



KR20D

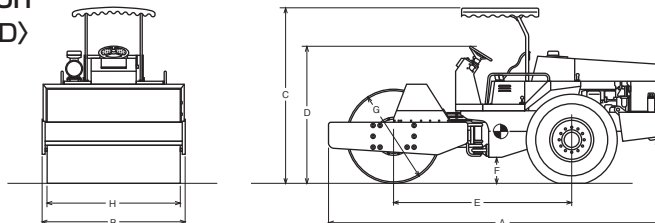
### Specifications

M A K E		KAWASAKI
M O D E L		KR20D
Weight	Gross weight (kg)	19,500
	Empty weight (kg)	8,500
Dimensions	Overall length (mm) <b>A</b>	5,150
	Overall width (mm) <b>B</b>	2,020
	Overall height (mm) <b>C</b>	3,285
	without auning (mm) <b>D</b>	2,540
	Wheel base (mm) <b>E</b>	3,700
	Ground clearance (mm) <b>F</b>	200
Roll Dimension	Front roll	4Tyre
	Rear roll	5Tyre
Rolling width (mm)		2,020
Min.turning radius (m)		6.0
Gradability ( ° )		23.0
Speeds (km/h)		24.0
Engine	Rated output (ps/rpm)	92/2,000
Fuel tank capacity ( ℓ )		100
Sprinkler tank capacity ( ℓ )		5,000

# Vibration Roller 10ton Tandem Roller 4ton

## Vibration Roller 10ton

### Dimension (SV512D)



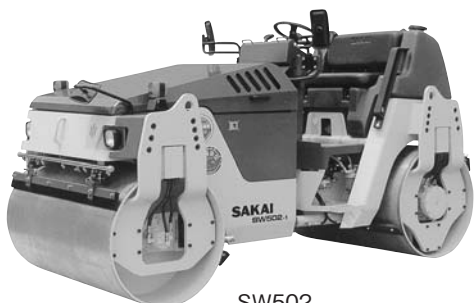
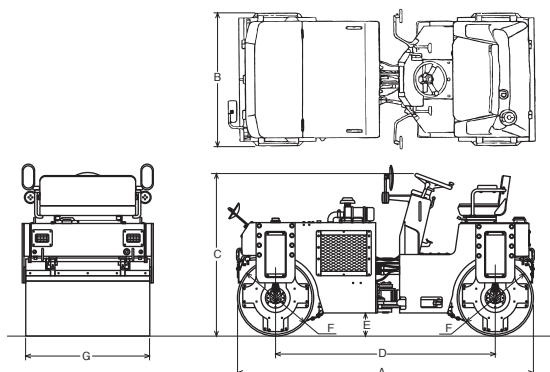
SV512T

### Specifications

M A K E		SAKAI		
M O D E L		SV512D	SV512T (PAT FOOT DRUM)	
Weights	Gross (kg)	10,500	10,850	
	Load on front (kg)	5,450	5,800	
	Load on rear (kg)	5,050	5,050	
Dimensions	Overall length (mm) <b>A</b>	5,740	5,760	
	Overall width (mm) <b>B</b>	2,300	2,300	
	Overall height (mm)	<b>C</b>	2,820	2,825
		<b>D</b>	2,105	2,125
	Wheelbase (mm) <b>E</b>	2,970	2,970	
	Ground clearance (mm) <b>G</b>	435	450	
	Drum diameter (mm) <b>H</b>	1,530	1,600	
Drum width (mm) <b>I</b>	2,130	2,130		
Vibrating power	Centrifugal force (ton)	23 / 17	25 / 19	
	Frequency	2,200/1,650 vpm 2,200/1,650 vpm		
Minimum turning radius (m)		5.6		
Gradability (%)		62	50	
Speed [F & R] (km/h)		10		
Engine	Rated output (ps[rpm])	123[2,200]		
	Fuel tank capacity (ℓ)	250		

## Tandem Roller 4ton

### Dimension(SW502)



SW502

### Specifications

M A K E		KAWASAKI	SAKAI	SAKAI
M O D E L		KV4 II	SW500	SW502
Dimensions	Operating weight (kg)	3,985	4,150	4,090
	Overall length (mm) <b>A</b>	3,235	3,100	3,100
	Overall width (mm) <b>B</b>	1,440	1,300	1,390
	Overall height (mm) <b>C</b>	1,535	1,770	1,705
	Wheelbase (mm) <b>D</b>	2,350	230	2,300
	Ground clearance (mm) <b>E</b>	250	250	280
Load of drum	Front drum (kg)	2,520	2,030	2,000
	Rear drum (kg)	1,210	2,120	2,090
Dimension of drum	Drum diameter (mm) <b>F</b>	950	800	800
	Drum width (mm) <b>G</b>	1,350	1,300	1,300
Vibrating power	Centrifugal force (kg)	4,500	2,500X2	2,700X2
	Frequency (vpm)	2,700	3,300x2	3,300X2
Minimum turning radius (m)		4.9	4.3	4.3
Gradability (°)		20.0	25.0	21.0
Traveling speed (km/h)		14.6	13.5	10.0
Engine	Rated output (ps/rpm)	29/2,500	30/2,500	39/2,300
	Fuel tank capacity (ℓ)	43	47	50



# Hand Guide Roller • Plate Compactor Reversible Compactor • Tamping Rammer

## Hand Guide Roller



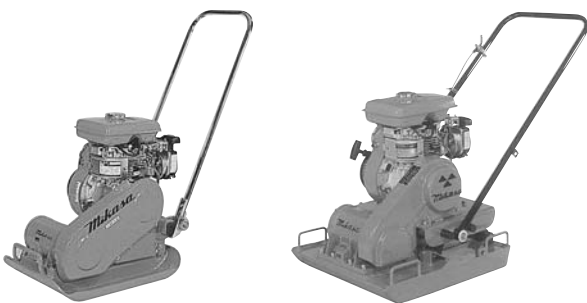
MRH600DSA

### Specifications

M A K E		TAIKYOKU	MIKASA
M O D E L		TMR65KDS	MRH600DSA
Dimensions	Operating weight (kg)	675	620
	Overall width (mm)	700	692
	Overall length (mm)	2,385	2,620
	Overall height (mm)	1,150	1,130
	Wheelbase (mm)	560	520
Drum size	Diameter (mm)	402	355
	Width (mm)	650	650
Vibrating power	Centrifugal force (kg)	1,100	1,100
	Frequency (vpm)	3,300	3,300
	Gradability (°)	25	20
Traveling speed	Forward (km/h)	0~3.6	0~3
Engine	Rated output (ps/rpm)	5.4/2,500	6.0/2,500
Fuel tank capacity (ℓ)		4.8	5.2
Water tank capacity (ℓ)		35	40

## Plate Compactor • Reversible Compactor • Tamping Rammer

### Plate Compactor (Gasoline/Diesel)



MVC-60

MVC-90BG

### Specifications

M A K E		MIKASA		
M O D E L		MVC-60	MVC-90BG	MVC110D
Dimensions	Length (mm)	825	1,160	1,130
	Height (mm)	890	720	925
	Weight (kg)	60	81	125
Plate size	Length (mm)	510	560	670
	Width (mm)	350	500	520
Vibrating frequency (vpm)		5,600	5,800	5,800
Centrifugal force (kN)		10.0	15.2	21.6
Max. Traveling speed (m/min)		20-25	25	25
limited gradeability (°)		25	20	35
Power source		Gassoline		Diesel

### Reversible Compactor



MVH-306DS

### Specifications

M A K E		MIKASA	
M O D E L		MVH-306DS	
Dimensions	Length (mm)	1,570	
	Height (mm)	970	
	Weight (kg)	350	
Plate size	Length (mm)	860	
	Width (mm)	445	
Vibrating frequency (vpm)		4,400	
Centrifugal force (kN)		45.0	
Max. Traveling speed (m/min)		0-23	
limited gradeability (°)		20	
Power source		Diesel	

### Tamping Rammer (Gasoline/Diesel)



MT-65HE

### Specifications

M A K E		MIKASA	MIKASA
M O D E L		MT-65HE	MT-76D
Dimensions	Length (mm)	730	740
	Width (mm)	370	410
	Height (mm)	1,070	1,010
	Weight (kg)	66	80
Plate size	Length (mm)	340	340
	Width (mm)	285	285
Jumping stroke (mm)		50~80	50~80
Impact force (kN)		16.5	17.5
Impact number per min.		640-695	650-700
Power source		Gasoline	Diesel

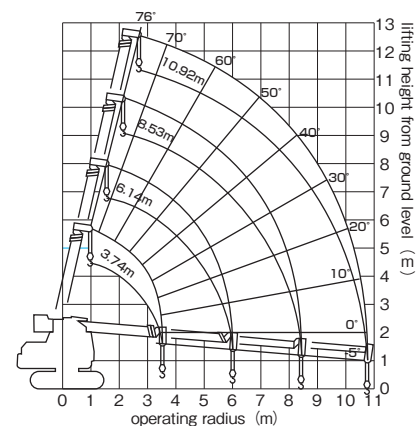
# Crawler Crane 4.9ton Ride-On Sweeper

LC605

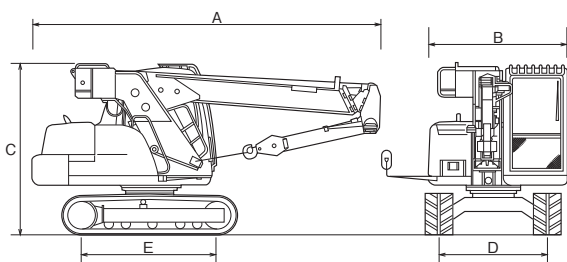


LC605

## Working Range Diagram



## Dimension



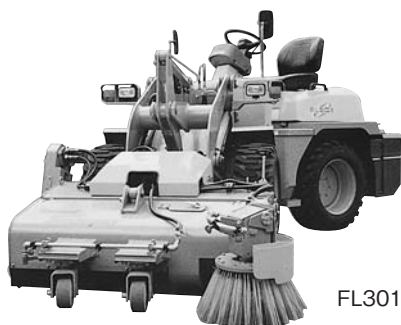
## Maximum Loading Chart(ton)

Operating radius(m)	Boom length (telescopic)		
	3.74~6.14m (1st~2nd)	6.14~8.53m (1st~3rd)	8.53~10.92m (4TM)
2.0	4.9 (2)		
2.1	4.5 (2)		
2.25	4 (2)		
2.45	3.5 (1.75)	3 (1.5)	
2.7	3 (1.5)	3 (1.5)	
3.0	2.50 (1.25)	2.56 (1.28)	2 (1)
3.5	2.04 (1.02)	2.04 (1.02)	2 (1)
4.0	1.69 (0.845)	1.96 (0.845)	1.69 (0.845)
4.5	1.43 (0.715)	1.43 (0.715)	1.43 (0.715)
5.0	1.23 (0.615)	1.23 (0.615)	1.23 (0.615)
5.5	1.07 (0.535)	1.07 (0.535)	1.07 (0.535)
5.94	0.97 (0.485)	0.97 (0.485)	0.97 (0.485)
6.0		0.96 (0.48)	0.96 (0.480)
6.5		0.80 (0.4)	0.8 (0.4)
7.0		0.69 (0.345)	0.69 (0.345)
7.5		0.58 (0.29)	0.58 (0.29)
8.0		0.52 (0.26)	0.52 (0.26)
8.33		0.49 (0.245)	0.49 (0.245)
9.0			0.42 (0.210)
10.0			0.33 (0.165)
10.72			0.28 (0.140)

## Specifications

M A K E		KOMATSU	
M O D E L		LC605	
Total weight (kg)		8,000	
Dimensions (mm)	Overall length	<b>A</b>	5,535
	Overall width	<b>B</b>	2,290
	Overall height	<b>C</b>	2,690
	Track gauge	<b>D</b>	1,700
	Length of track on ground	<b>E</b>	2,220
Performance	Min.ground clearance	395	
	Max.lifting load (ton×m)	4.9×2.0	
	Max.operating radius (m×ton)	10.72×0.28	
	Max.lifting height (m)	11.3	
	Boom length (mm)	3,740~10,920	
	Boom telescopic speed (sec/m)	19/7.18	
Swing speed (rpm)		2.2	
Travel speed (km/h)		3.7	
Fly wheel house power (kW[PS]/rpm)		40.5[55 ps]/2,100	
Fuel tank capacity (ℓ)		130	

## Ride-On Sweeper



FL301

## Specifications

M A K E		FURUKAWA	
M O D E L		FL301	
Max.cleaning width (mm)		1,530	
Sweeping speed (km/h)		2~3.5	
Cleaning capacity (m <sup>2</sup> /h)		5,355	
Dust tank capacity (ℓ)		120	
Water tank capacity (ℓ)		200	
Engine rated output (kW[ps]/rpm)		16.2[22]/2,500	
Dimensions	Overall length	4,360	
	Overall length (Driving)	4,690	
	Overall width	1,690	
	Overall height	1,740	
Turning radius (mm)		3,440	
Operating weight (kg)		2,425	

※ Brush is sales item