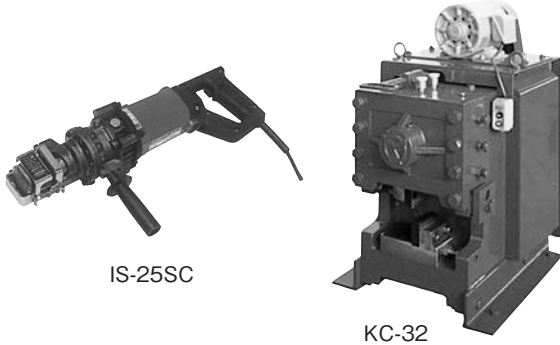


Electric Tools

RENT ALL
THAI RENT ALL CO., LTD.

Bar cutter·Bar Bender / Bar Straightner·Core Drill·Vibration Drill·Rotary Hammer Drill·Electric Hammer

■ Bar Cutter (Portable & Stationary type)



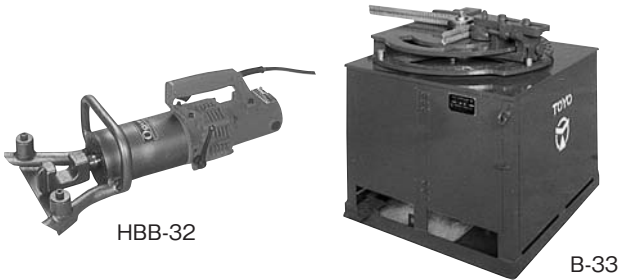
IS-25SC

KC-32

■ Specifications

M A K E	IKURA	TANAKA
M O D E L	IS-25SC	KC-32
Cutting capacity (mm ϕ)	25	32
Input (kW)	1.05	1.55
Dimensions [L×W×H] (mm)	—	650×510×950
Weight (kg)	15.7	420

■ Bar Bender / Bar Straightner (Portable & Stationary type)



HBB-32

B-33

■ Specifications

M A K E	OGURA	TOYO
M O D E L	HBB-32	B-33
R.Bar capacity (mm)	32	32
Input (kW)	0.7	2.2
Dimensions [L×W×H] (mm)	590×290×210	965×950×750
Weight (kg)	19	450

■ Core Drill Machine



SPN-8A2

■ Specifications

M O D E L	SPN-8A2
Max Bit Dia (inch/mm)	8/205
Rated Current (A)	9
Max. Output (W)	2,400
Power Source (V)	220/single
No-Load Speed (rpm/min)	680
Dimensions [L×W×H] (mm)	395×232×412
Weight (kg)	10.3

■ Vibration Drill

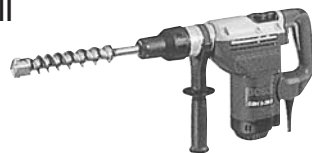


GSB550RE

■ Specifications

M A K E	BOSCH
M O D E L	GSB550RE
Input (kW)	0.5
Blows Per Minute (rpm/min)	3,000
Weight (kg)	1.65

■ Rotary Hammer Drill

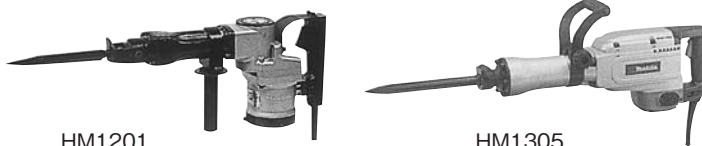


GBH5-38D

■ Specifications

M A K E	BOSCH
M O D E L	GBH5-38D
Input (kW)	1.05
Blows Per Minute (rpm/min)	3,000
Weight (kg)	5.8

■ Electric Hammer



HM1201

HM1305

■ Specifications

M A K E	MAKITA	
M O D E L	HM1201	HM1305
Input (kW)	1.13	1.51
Blows Per Minute (rpm/min)	2000	1450
Overall Length (mm)	430	645
Weight (kg)	8.7	15

※ Chisel is sales item

Electric Tools Engine Hand Cutter·Concrete Cutter

Disk Grinder·Baby Sander

Disk Grinder



Specifications

M O D E L	9067NB
Capacity Depressed center wheel (mm/inch)	180/7"
Power Input (W)	2,000
No-Load Speed (min/rpm)	8,500
Overall Length (mm)	458
Weight (kg)	4.2

※ Blade is sales item.

Baby Sander



Specifications

M O D E L	9500NB
Capacity Depressed center wheel (mm/inch)	100/4"
Power Input (W)	570
No-Load Speed (min/rpm)	12,000
Overall Length (mm)	253
Weight (kg)	1.5

※ Blade is sales item.

Electric Hand Cutter·Engine Hand Cutter·Concrete Cutter

Electric Hand Cutter



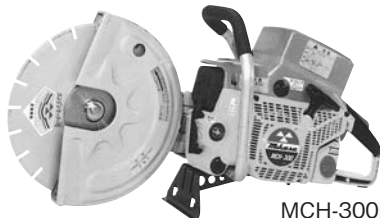
K2300EL

Specifications

M O D E L	K2300EL
Rated Voltage (V)	220
Rated Current (A)	15
Power (W)	1400
Cutter Disc (inch)	12
Dimensions [L×W×H] (mm)	630×205×215
Weight (kg)	9

※ Blade is sales item.

Engine Hand Cutter



MCH-300L

Specifications

M A K E	MIKASA
M O D E L	MCH-300L
Displacement (cc)	66.8
Fuel	gasoline 0.64 ℓ 2cycle oil 0.37 ℓ
Cutter Disc (m/m)	305
Dimensions [L×W×H] (mm)	635×360×270
Weight (kg)	11

※ Blade is sales item.

Concrete Cutter



MCD-214

Specifications

M A K E	MIKASA			
M O D E L	MCD-214	MCD-216	MCD-218	
Max cutting depth (mm)	120	145	170	
Cutter Disc (inch)	14	16	18	
Water tank capacity (ℓ)	45	45	45	
Weight (kg)	113	136	139	
Dimensions (mm)	Length	1,958	1,958	1,958
	Width	540	540	540
	Height	965	981	981

※ Blade is sales item.

Concrete Vibrator

RENT ALL
THAI RENT ALL CO., LTD.

Concrete Vibrator Handy Type / Engine Type

Concrete Vibrator (Handy Type)



Specifications

M A K E	MIKASA
M O D E L	MSX-32
Vib.head dia. x shaft length (mm)	32 x 780
Inner shaft dia. (mm)	7.7
Rubber casing dia. (mm)	25
amplitude (mm)	1.9
Vibration (Hz/V.P.M)	200~258/12,000~15,500
Power Source	280W 220V/single
total weight (kg)	4.7

Concrete Vibrator (External Type)



Specifications

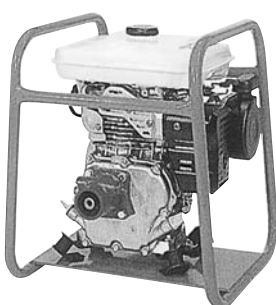
M A K E	MIKASA
M O D E L	MGZ-F100A
Dimensions [L x W] (mm)	400 x 78
Plate size (mm)	78 x 100
Vibration (Hz/V.P.M)	166~200/10,000~12,000
Power Source	280W 220V/single
Weight with 4m cable (kg)	4.3

Concrete Vibrator (Engine & Motor Type)



Specifications For Vibrator Head

M O D E L	GH-32B	GH-38B
Vib.head dia. x length (mm)	32 x 520	38 x 480
Rubber hose (m)	4 · 5 · 6	
Flexible shaft dia (mm)	9.5	
amplitude (mm)	1.8	
Vibration (Hz/V.P.M)	15~208/9,000~12,500	
Weight with cable (kg)	4m	12
	6m	16
		12.5
		16.5



Specifications For Engine Drive Units

M O D E L	GE-5LV
Engine	Robin EH17D
Output rating (Max kW/PS)	3.7/5.0
Weight (kg)	24

Concrete Mixer • Mortar Mixer Trowel • Floor Grinder

Concrete Mixer • Motor Mixer • Power Trowel • Floor Grinder

■ Concrete Mixer



■ Specifications

M A K E	YUH
Capacity (kg)	50
Power (hp)	3

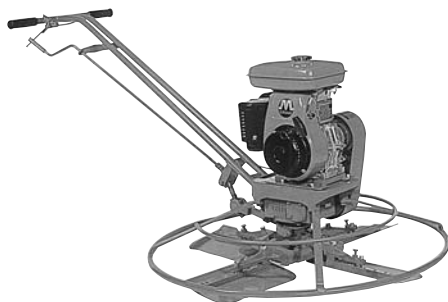
■ Mortar Mixer



■ Specifications

M A K E	YUH
Capacity (kg)	60
Power (hp)	3

■ Power Trowel

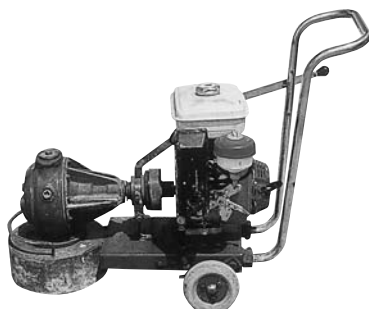


MRT-36A

■ Specifications

M O D E L	MRT-36A	
M A K E	MIKASA	
Trowel diam (mm)	910	
Power (hp)	5	
Trowel speed (rpm)	50-100	
Dimensions (mm)	Height	810
	Width	1,010
Weight (kg)	78	

■ Engine Floor Grinder



■ Specifications

M A K E	YUH	
Power (ps)	5	
Dimensions (mm)	Length	600
	Width	1,050
	Height	800

※ Brush & stone are sales item

Ventilator Cleaning Equipment

Portable Ventilator · Industrial Sweeper · Magnetic Sweeper · Vacuum Cleaner · Floor Polisher · Brush Catter

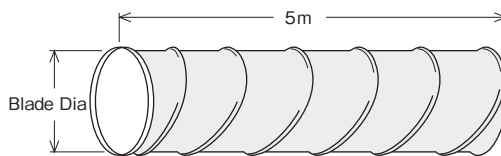
Portable Ventilator



Specifications

Diameter (mm)	300	600	
Power rating (W)	380	1,500	2,200
Voltage (V)	220 - 240	220 - 240	415
Weight (kg)	16.0	68	60

Duct Hose



Ducting Capacity

Blade Dia	Length (m)
300 φ	5
600 φ	10

Industrial Sweeper



Specifications

M A K E	Hako
M O D E L	HAKO-Profi-Flipper
Working Width w side brush (mm)	670
Working Width w/o side brush (mm)	480
Working w side brush (mm)	790
Length with side brush	1,330 or 1,510
Height with handle	900 or 1,060
Height with handle dismantled	900 or 1,060
Weight (kg)	24

Vacuum Cleaner



Specifications

M A K E	MAKITA	K'ARCHER
M O D E L	407	NT65/2Eco Me
T Y P E	Wet & Dry	
Input (w)	1,050	2,750
Dimensions [L×W×H] (mm)	422×487×699	740×560×890
Tank capacity (ℓ)	30	65
Total weight (kg)	11	

※ Filter is sales item.

Floor Polisher



Specifications

M A K E	CHAMPION
M O D E L	RPM320
Size	18"
Power (hp)	1
Speed/min (rpm)	500

※ Brush & Pad are sales item.

Brush Cutter



Specifications

M A K E	HONDA
M O D E L	UMK-422U
Dimensions [L×W×H] (mm)	1,890×585×390
Displacement (cc)	22.2
Fuel tank (ℓ)	0.45
Blade (mm)	230
Total weight (kg)	6.6

High Pressure Pump • Spot Cooler Jet Heater

High Pressure Pump



Specifications (High Pressure Pump)

MAKE	MODEL	Motor output (kw)	MAX. permissible pressure(bar)	Water flow (ℓ/min)	Supply voltage (V)	Weight (kg)
KARCHER	HD6/15C	3.1	30-150	3.8-9.3	220	28

※Extension gan hose is rental item.



Specifications (Engine High Pressure Pump)

MAKE	MODEL	Engine		Pump		Dimensions(mm)			Weight (kg)
		Fuel	Fuel tank (ℓ)	Pressure (MPa[kgf/cm ²])	Capacity (ℓ/min)	W	L	H	
YANMER	YHP-150	Diesel	10.6	15[153]	15.6	975	524	700	180

SPOT COOLER



Specifications

MAKE	SUIDEN		NAKATOMI	
MODEL	SS-22DC-8A		SPC-22KC	
Power Supply	AC220V			
Frequency	50Hz			
Power High	800W		1,010w	
Power Low	740W		985w	
The Load Of Electric Current High	3.9A		4.6A	
The Load Of Electric Current Low	3.6A		4.4A	
Temperature	25°C~45°C			
Flow From Cool Air Duct Per Minute STRONG	6.5m ³		6.0m ³	
Flow From Cool Air Duct Per Minute WEAK	6.0m ³		5.3m ³	
Btu Out Put	-		7,500 per Hour	
Refrigeration Capability	R22			
Compressor	2.2kw		2.5kw	
Water Tank	5 litres			
Switch	Rotary + Swinging Switch		Rotating Off/Low/High	
Body Dimension(mm)	W390×D430×H820		W400×D430×H820	
Weight	37kgs.		40kgs.	

JET HEATER



Specifications

Current voltage	AC	220V 50Hz
Rated power	Ignition	60W
	Burning	100W
Category	Radiation, Fire type	
Lighting Maode	High voltage Electrical Lighting Mode	
Fuel Category	Kerosene or diesel	
Fuel Consumption	1.75L/h (1.4kg/h)	
Heating Power	17kW (14,500kcal/h)	
Oil Tank Capacity	15L	
Fuel Lasting Time	About 8 hours	
Body Dimension	W590xD470xH700	
Weight	22kg (When tank is empty)	
Current Fuse	3A	
Noise (DBA)	65db (A)	