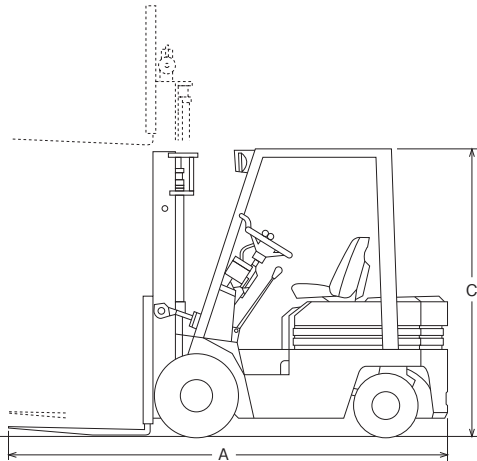
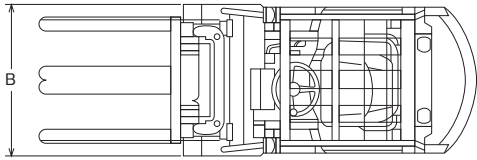


# Forklift 2~6ton Hand Pallet 2·3ton

**RENT ALL**  
THAI RENT ALL CO., LTD.

## Forklift (Diesel & LPG)

### Dimension



### Specifications

| M A K E                     |                         | TOYOTA |       |       |       |       |       |       |       |
|-----------------------------|-------------------------|--------|-------|-------|-------|-------|-------|-------|-------|
| M O D E L                   |                         | FD15   | FD20  | FD25  | FD30  | FD35  | FD40  | FD50  | FD60  |
| Rated capacity (kg)         |                         | 1,500  | 2,000 | 2,500 | 3,000 | 3,500 | 4,000 | 5,000 | 6,000 |
| Dimensions (mm)             | Overall length <b>A</b> | 3,315  | 3,605 | 3,670 | 3,815 | 3,885 | 4,200 | 4,400 | 4,725 |
|                             | Overall width <b>B</b>  | 1,070  | 1,150 | 1,150 | 1,240 | 1,290 | 1,450 | 1,450 | 1,995 |
|                             | Overall height <b>C</b> | 2,030  | 2,060 | 2,060 | 2,120 | 2,130 | 2,240 | 2,235 | 2,515 |
|                             | Fork length             | 1,070  | 1,070 | 1,070 | 1,070 | 1,070 | 1,070 | 1,220 | 1,220 |
| Max.Lifting height (mm)     |                         | 3,000  | 3,000 | 3,000 | 3,000 | 3,000 | 3,000 | 4,370 | 4,370 |
| Minimum turning radius (mm) |                         | 1,960  | 2,170 | 2,240 | 2,400 | 2,500 | 2,750 | 2,810 | 3,350 |
| Total weight (kg)           |                         | 2,640  | 3,330 | 3,700 | 4,300 | 5,690 | 6,230 | 7,390 | 8,680 |

- ※ High-mast (4~6m) is also available
- ※ Attachment-Extension fork

## Battery Forklift



### Specifications

| M A K E                    |                         | NICHYU       |  |
|----------------------------|-------------------------|--------------|--|
| M O D E L                  |                         | FB15P        |  |
| Rated capacity(kg)         |                         | <b>1,500</b> |  |
| Dimensions(mm)             | Overall length <b>A</b> | 3,070        |  |
|                            | Overall width <b>B</b>  | 1,090        |  |
|                            | Overall height <b>C</b> | 1,980        |  |
|                            | Fork length             | 1,070        |  |
| Max.Lifting height(mm)     |                         | 4,000        |  |
| Minimum turning radius(mm) |                         | 1,760        |  |
| Total weight(kg)           |                         | 2,850        |  |

## Hand Pallet



### Specifications

| M O D E L         |        | BTL2000 | CP30L |
|-------------------|--------|---------|-------|
| Working load (kg) |        | 2,000   | 3,000 |
| Dimensions (mm)   | Length | 1,420   | 1,610 |
|                   | Width  | 520     | 685   |
|                   | Height | 1,170   | 1,170 |
| Fork length (mm)  |        | 1,070   | 1,220 |
| Weight (kg)       |        | 67      | 119   |

# Lever Block•Chain Block TIR FOR•TIR ROLLER

Lever Block (0.75~1.5ton)•Chain Block(1.2ton)

## Lever Block



LB015

## Specifications

| M O D E L         | LB008 | LB015 |
|-------------------|-------|-------|
| Rated load (kg)   | 750   | 1,500 |
| Standard lift (m) | 1.5   | 1.5   |
| Manual force (kg) | 29    | 29    |
| Test load (kg)    | 1,125 | 2,250 |
| Weight (kg)       | 6.2   | 9.6   |

## Chain Block



CB010

## Specifications

| M O D E L                 | CB010 | CB015 | CB020 | CB030 |
|---------------------------|-------|-------|-------|-------|
| Rated load (kg)           | 1,000 | 1,600 | 2,000 | 3,150 |
| Standard lift (m)         | 2.5   | 2.5   | 3.0   | 3.0   |
| Average manual force (kg) | 29    | 35    | 36    | 36    |
| Test load (kg)            | 1,500 | 2,360 | 3,000 | 4,750 |
| Weight (kg)               | 11.5  | 14.5  | 20    | 24    |

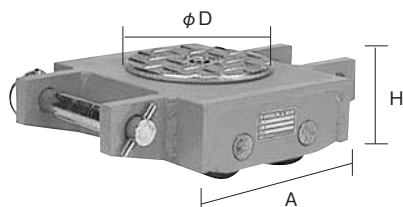
## TIR FOR



## Specifications

|                 |                 |     |  |
|-----------------|-----------------|-----|--|
| M A K E         | TIR corporation |     |  |
| M O D E L       | TU-16           |     |  |
| Capacity (kg)   | 1,600           |     |  |
| Weight (kg)     | 18              |     |  |
| Speed (m/min)   | 3               |     |  |
| Dimensions (mm) | Length          | 644 |  |
|                 | Width           | 360 |  |
|                 | Height          | 143 |  |

## TIR ROLLER



## Specifications

|                 |                         |       |       |
|-----------------|-------------------------|-------|-------|
| M A K E         | TIR Corp                |       |       |
| M O D E L       | W-5U                    | W-8U  |       |
| Capacity (ton)  | 5                       | 8     |       |
| Weight (kg)     | 31.2                    | 41.5  |       |
| Curv ( ° )      | 15~30                   |       |       |
| Dimensions (mm) | Overall width <b>A</b>  | 267   | 327   |
|                 | Overall height <b>H</b> | 122.5 | 142.5 |
|                 | Turn Table <b>Dφ</b>    | 240   |       |